

Broadband Internet



WHERE PERSONAL SERVICE MATTERS

Introducing our new high speed internet - it's fast, flexible and personal

Community Telco can now offer you a high speed, highly reliable broadband package with more flexibility in the way you connect to the internet. And our network provides coverage to all states and territories in Australia.

Our new extensive wholesale carrier relationships mean you can now choose an ADSL or ADSL2+ plan to suit your budget, location, speed and download requirements. Our plans are flexible enough to suit every business, from a small operation with one or two staff right through to a large business that uses the internet constantly.

Reliable core network

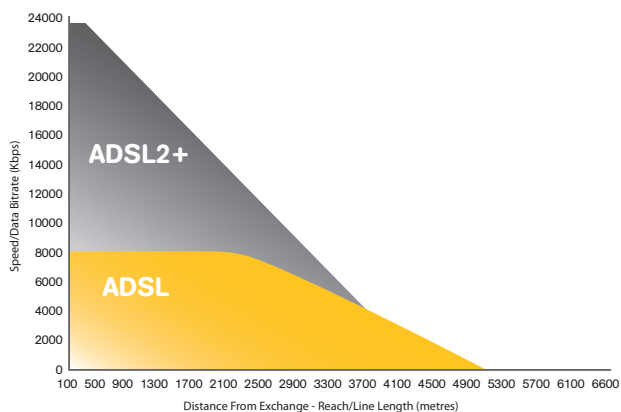
Our network is highly stable with 99.95% targeted uptime; reliable enough to service a major Australian bank.

Performance

Our fully protected and redundant backbone is engineered to support your access demands, providing high throughput and efficiency.

Relative broadband speeds

The following graph depicts connection speeds per distance from the exchange*.



* Speeds specified represent maximum possible connection speeds. Speeds for all broadband service plans are dependent on how far you are from the local telephone exchange, configuration and quality of your phone line, quality of your broadband ADSL modem and line filter, the number and type of services being used in your neighbourhood, interference from outside sources, your computer's hardware and software set up, and the configuration of any computer you are trying to access.

Great additional value

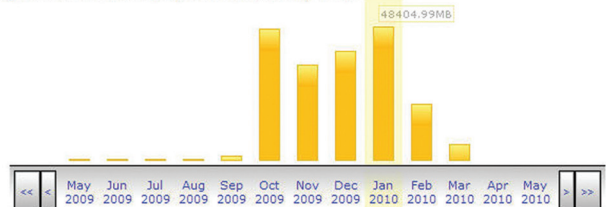
When you go online to MyServiceCentre you'll find a data usage meter, where you can view your usage patterns on your new plan and arrange notifications to be sent to you when you are approaching your limit.

There are no excess data charges - when you reach your limit your service will be slowed instead.

And to make things even easier, all your Community Telco services will be on the one bill.

Monthly Usage Details

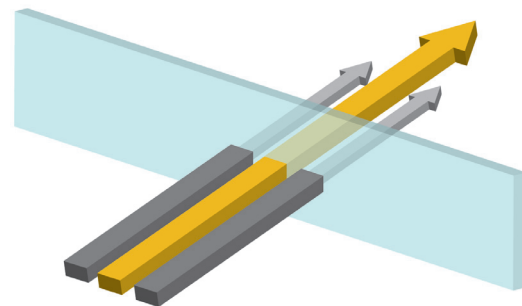
Clicking on a month will display that month's daily totals



A new focus on business data

Community Telco has placed data rate restrictions of 64kbps on all peer-to-peer traffic across the network.

Customers downloading music, videos, etc. on a peer-to-peer platform (i.e. non-business type activities) will have those downloads slowed so priority can be given to business data traffic.



Peer-to-peer Business data

Our local advantage

With these great new business products the strengths of Community Telco become even clearer.

We provide an unparalleled level of personal service, as well as the support we give to our local community.

When your business signs with your Community Telco your money stays in the community, helping keep your region strong. The stronger the region, the better for business.



1300 835 261

vicwest.communitytelco.com.au

WHERE PERSONAL SERVICE MATTERS